

APPLIQUE BLOCK ROLL

Supplies:

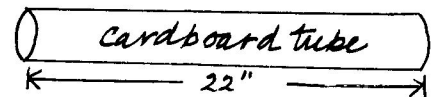
Please read through these directions before cutting anything!

- 1 cardboard tube (see below)
- 1 piece of fabric, measurements below
- 1 piece of ribbon, 1/2" wide x 52"
- Glue stick (UHU or Elmer's is fine too.. or if you have it, something tacky is great)

THE PREP

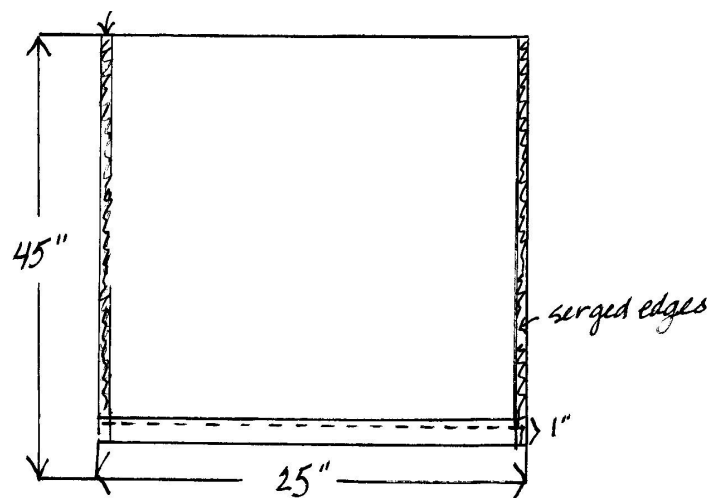
Step 1

1 cardboard tube, the heavier the better. Cut this 2" longer than your block width. Our blocks are 20" square, so cut your tube 22" wide. The radius of the tube isn't important. What is important is that it's a sturdy tube.



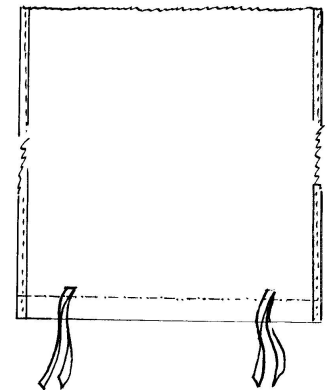
Step 2

1 piece of fabric, the width of your tube plus 1" plus width of fabric, so 45". Since our tube is 22" long, we need to cut our fabric the width of the tube plus hems on either side... 23". I serge the long edges then fold a 1/2" hem and sew down, but if you don't have a serger, zigzag them and either glue or sew them in place. Do not do a double fold hem on the sides...it's too bulky. Now, fold one end with a 1" hem and sew or glue in place. Set aside.



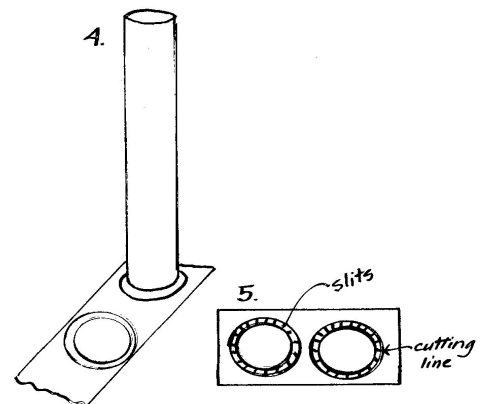
Step 3

Cut your ribbon in half. Fold each piece in half. Place one 5" in from either end and sew on the fold of the ribbon, 1" from the edge of the hem.



Step 4

Take the end of your bare naked tube and place on another piece of fabric, wrong sides up (the fabric, that is, not the tube.. (it doesn't have a right or wrong side). Draw around it with a pen or pencil. Make two circles. Leave 1" between each of these circles. The size of this piece of fabric depends upon the radius of your tube. Okay. So now you have two circles drawn on the wrong side of your fabric. Cut around each circle, leaving 1/2" extra all the way around. Make slits in this about every 1/2", and about 1/2" deep. Now you have this circle with slits all around it.



ASSEMBLY:

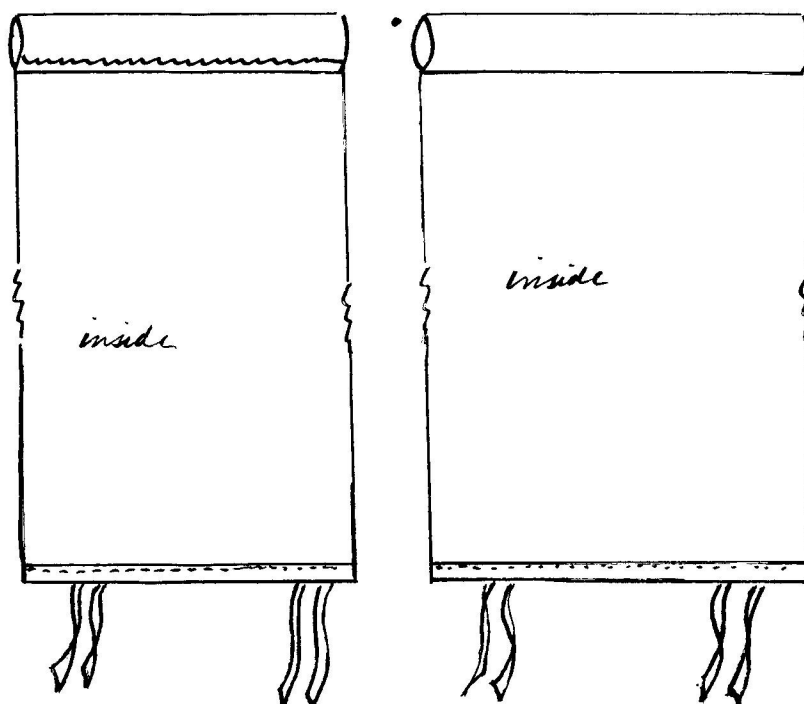
Step 5

Take one circle with slits and glue it to the end of your tube. Now do the other end. Hold in place until it stays put.



Step 6

Take your long piece of fabric with the ribbons sewn to it, and glue it to the long side of your tube.



Write your name, address & phone number inside your block holder, then you're done.

Load 'er up!

Please, share these directions with any of your quilting friends with my blessing!

Annette Johnston 2008
www.naturescolours.ca

